

CTRL UL101 Troubleshooter

Designed for a wide variety of applications.
There is not a more comprehensive tool on the market.



MORE THAN A LEAK DETECTOR

The CTRL UL101 Troubleshooter includes all of the attachments of the UL101 Leak Detector and more.

SUPERIOR SOUND CLARITY

Easily distinguish the different sounds produced by motor bearings in different conditions such as under lubricated, over lubricated, and excessive wear.

INSTANTANEOUS

Compare one bearing to another, or upgrade to the Condition Based Monitoring System and subscribe to InCTRL for baseline comparison.

Applications

leak detection

pressure leaks motors

cylinders **bearings** seals

non pressurized vessels

substations **mechanical equipment**

electrical arcing transformers

vacuum leaks **valves** hatches

gears pressure leaks **electrical panels**

bearings substations **windows**

cylinders solenoids

Troubleshooting

UL101 Troubleshooter Specifications

Receiver / Transmitter Dimensions	8.75" x 1.26" x 1.26" (222 x 32 x 32 mm) 4.125" x 1.26" x 1.26" (105 x 32 x 32 mm)
Receiver / Transmitter Weight	11.6 oz (330 g) 6.2 oz (175 g)
Kit Shipping Dimensions	17" x 8" x 14" (43 x 20 x 35 cm)
Kit Shipping Weight	10 lbs (4.5 kg)
Housing	Extruded Aluminum, wall thickness .09" (2.3 mm)
Battery	9-Volt Alkaline (> 45 continuous hours use)
Distance of Reception	Up to 150 feet (45 m)
Sensitivity Threshold	Minimum Intensity: 10^{-12} W/m ² (0 dB SPL) Minimum Ultrasonic Pressure: 2.0×10^{-5} PA @ 40 kHz
Frequency Bandwidth	1.8 - 2.2 kHz @ level 0.7 (or -3 dB SPL)
Working Resonance Frequency	40 kHz +/- 1.5 kHz
Operating Temperature Range	-4° to +130° F (-20° to +54° C)
Headset	Industrial Grade/600-Ohm Impedance 21-24 dB External Noise Attenuation Over or Behind-the-Head (for use with hardhat)
Warranty	5-year parts & labor on all manufacturer's defects No calibration required Requalification of performance (once per year)

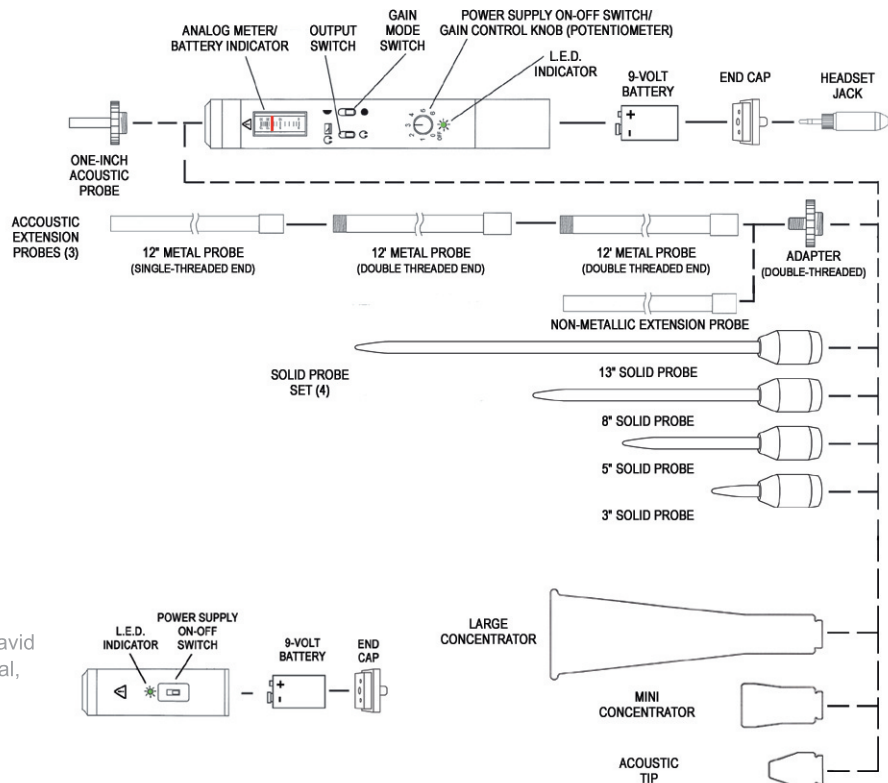
Intrinsically Safe
(optional upgrade)

ANSI /UL 91 3-88, for DIVISION 1 , CLASS I , Groups A, B, C and D,
CLASS II , Groups E, F, G and CLASS III
It also complies with DIVISION 2, CLASS I, Groups A, B, C and D,
CLASS II, Groups F, G, and CLASS III

The **CTRL UL101 Troubleshooter** converts ultrasound signals produced by industrial machinery and vehicles into easily recognizable audible sounds so the user can evaluate the condition of individual components, even in extremely noisy plant environments. The CTRL UL101 is used worldwide for predictive maintenance, quality control, and for leak detection.

Features include:

- Fixed Frequency
- High Sensitivity to all turbulent flow air, gas, or vacuum leaks
- Easily adjustable sensitivity and gain
- Lightweight, one-handed operation
- Conversion ultrasound to easily recognizable audible sounds



Not Pictured: Carrying Case, David Clark Headset, Operator's Manual, Training CD